

ML8142

GPS Down Converter

ML8142: GPS Down Converter

- GENERAL DESCRIPTION**

The **ML8142** is a GPS down converter LSI with 24mW/16mA low-power consumption. Adopt a low-IF architecture, it's possible to make system with small count of external components.

- APPLICATIONS**

Portable GPS receiver, PDA, Cell phone.

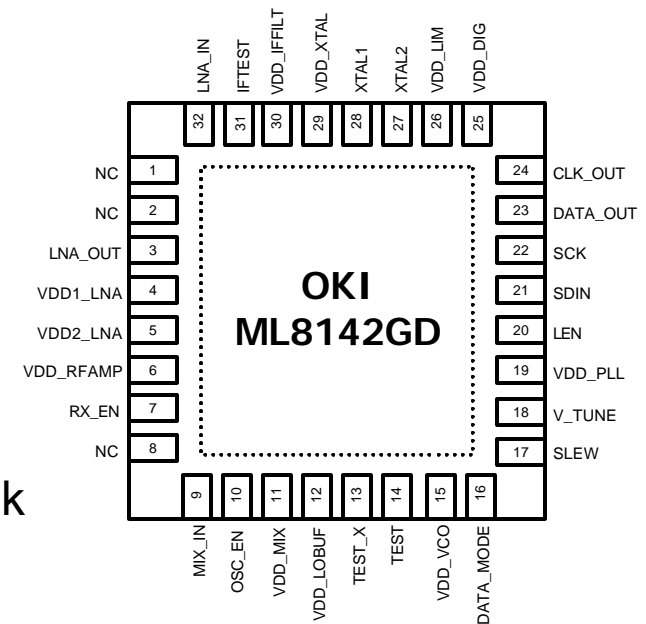
- FEATURES**

- Low voltage operation: $1.5V \pm 5\%$
- Lower power consumption: 24mW/16mA (typ.)
- On-chip crystal oscillator: 16.368MHz
- On-chip LNA with input/output 50Ω matching.
- Selectable data output mode: Analog/Digital
- Selectable output driver slew rate: Strong/Weak
- Small package:

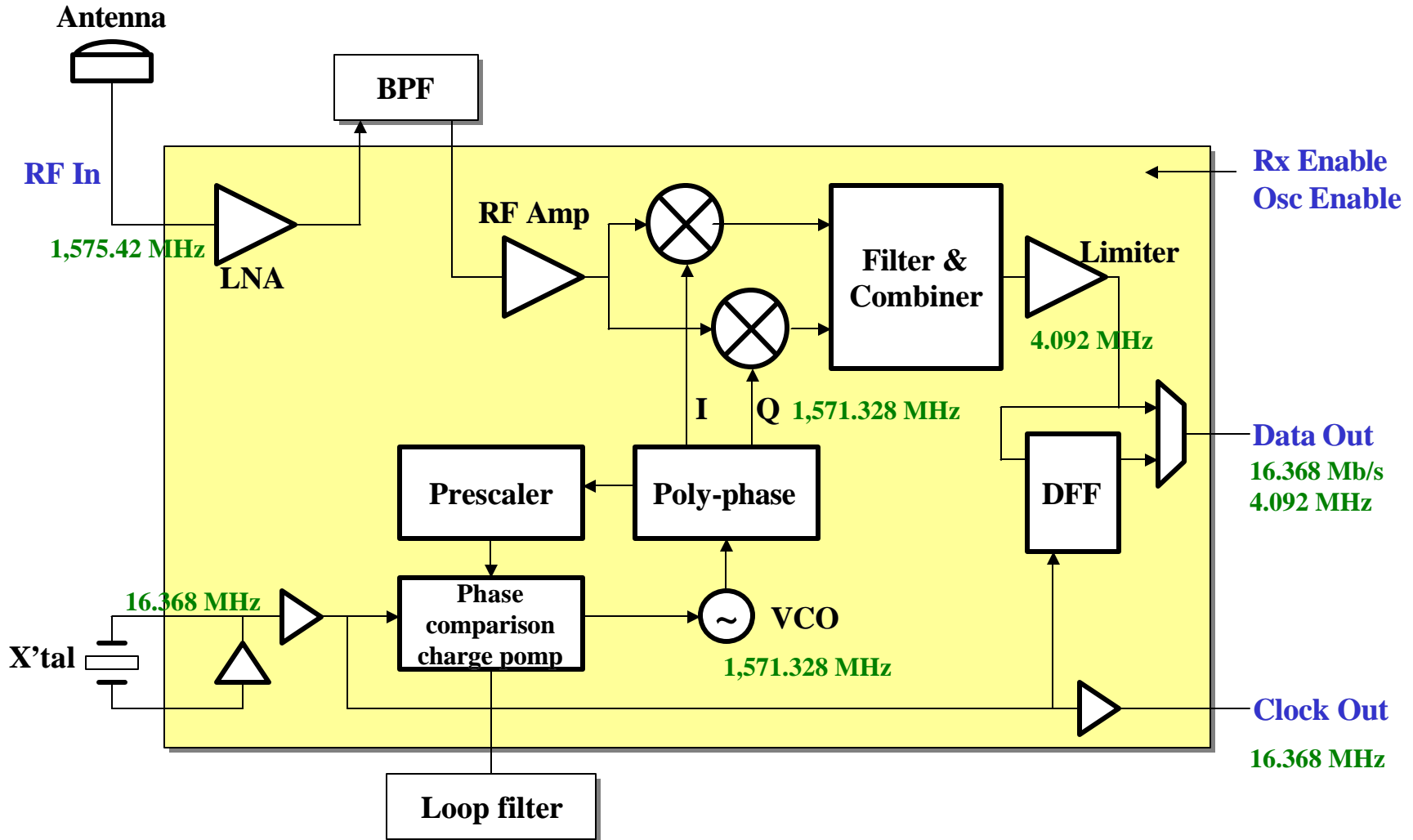
ML8142GD 5.0x5.0x0.8mm, 32pin QFN

ML8142HB 2.66x2.66x0.5mm, 24pin LGA* (W-CSP)

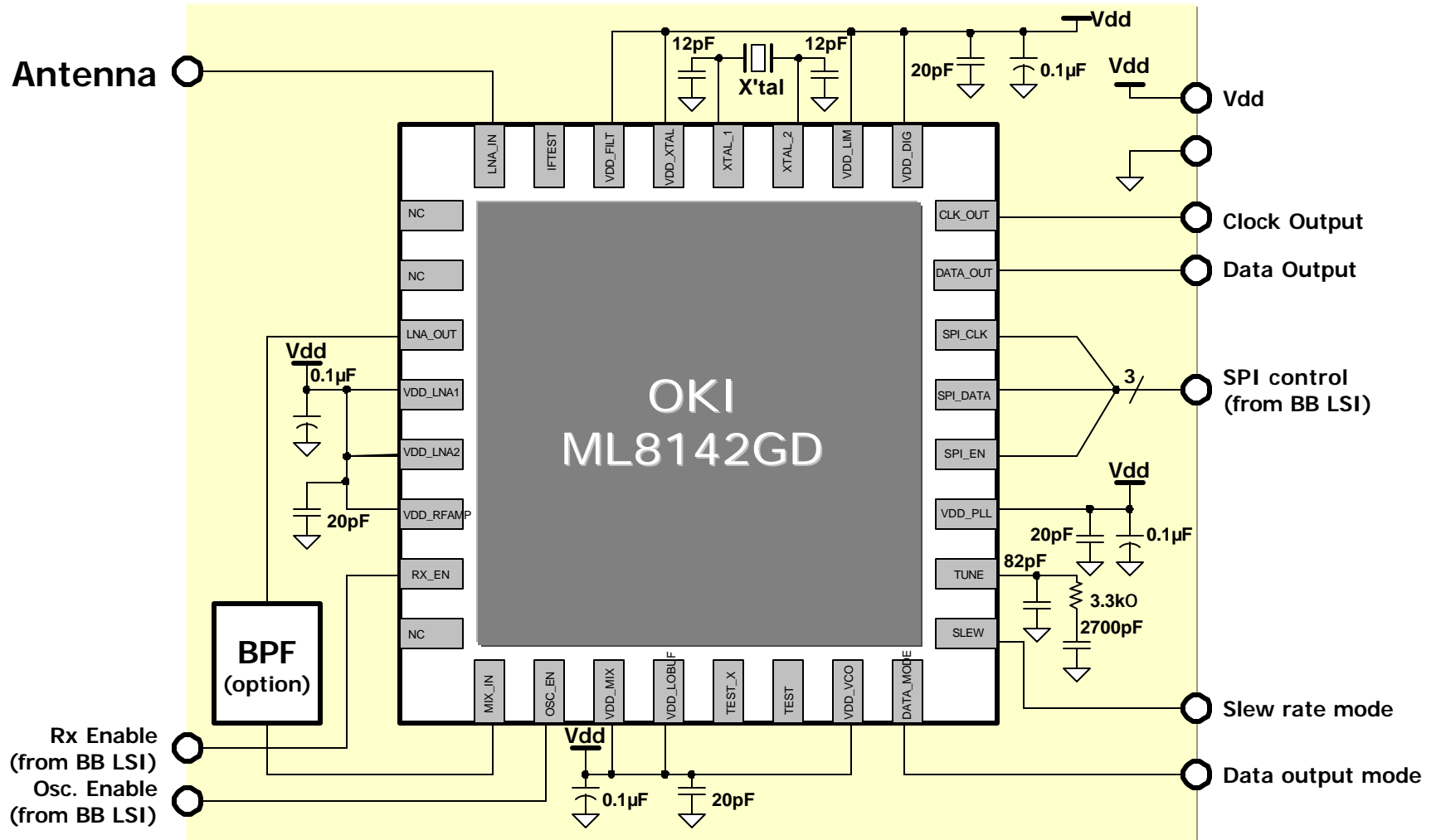
*Sample available in Apr. 2005



Block diagram



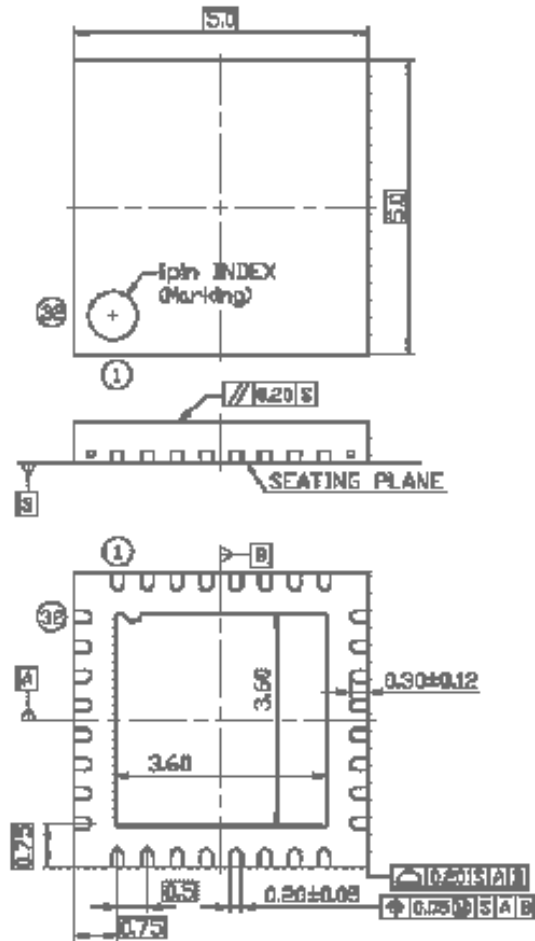
Application schematic



Note: The load capacitance of the Crystal Oscillator is 12pF. But this value is subject to change according to the PCB trace. Please adjust this capacitance on your specific board.

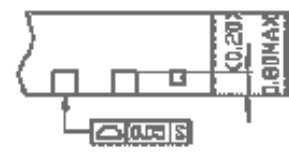
Package information (32pin

QFN)



PRELIMINARY

DETAIL DIMENSION OF LEAD



- NOTES
1. THESE DIMENSIONS INCLUDE PACKAGE BEND.
 2. THE SEATING PLANE IS THE SURFACE WHICH THE PACKAGE IS MOUNTED ON AND GETS IN CONTACT WITH.

Package information (24pin LGA)

