



團隊 · 熱誠 · 專業

SAA6734AHL

SAC LCD Monitor Solutions



SAC Product Marketing

P110 James Chen

● Teamwork - 以人為本、團隊合作 ● Enthusiasm - 誠摯服務、重視承諾 ● Expertise - 專業行銷、經營亞太

Your Connection to Success

品佳股份有限公司

SAA6734AHL- Feature

SAA6734AHL



- 165 MHz improved ADC
- max res. 1280 x 1024
- integrated ADC, PLL(clamp,AGC)
- H/V up/down-scaling
- Programmable polyphase filter
- full-matrix color processing
- sRGB support
- 10-bit gamma correction
- enhanced char. OSD
- OSD rotate (90° steps)
- horizontal flip
- Spread spectrum for EMI reduction
- Integrated LVDS panel interface
- I²C interface

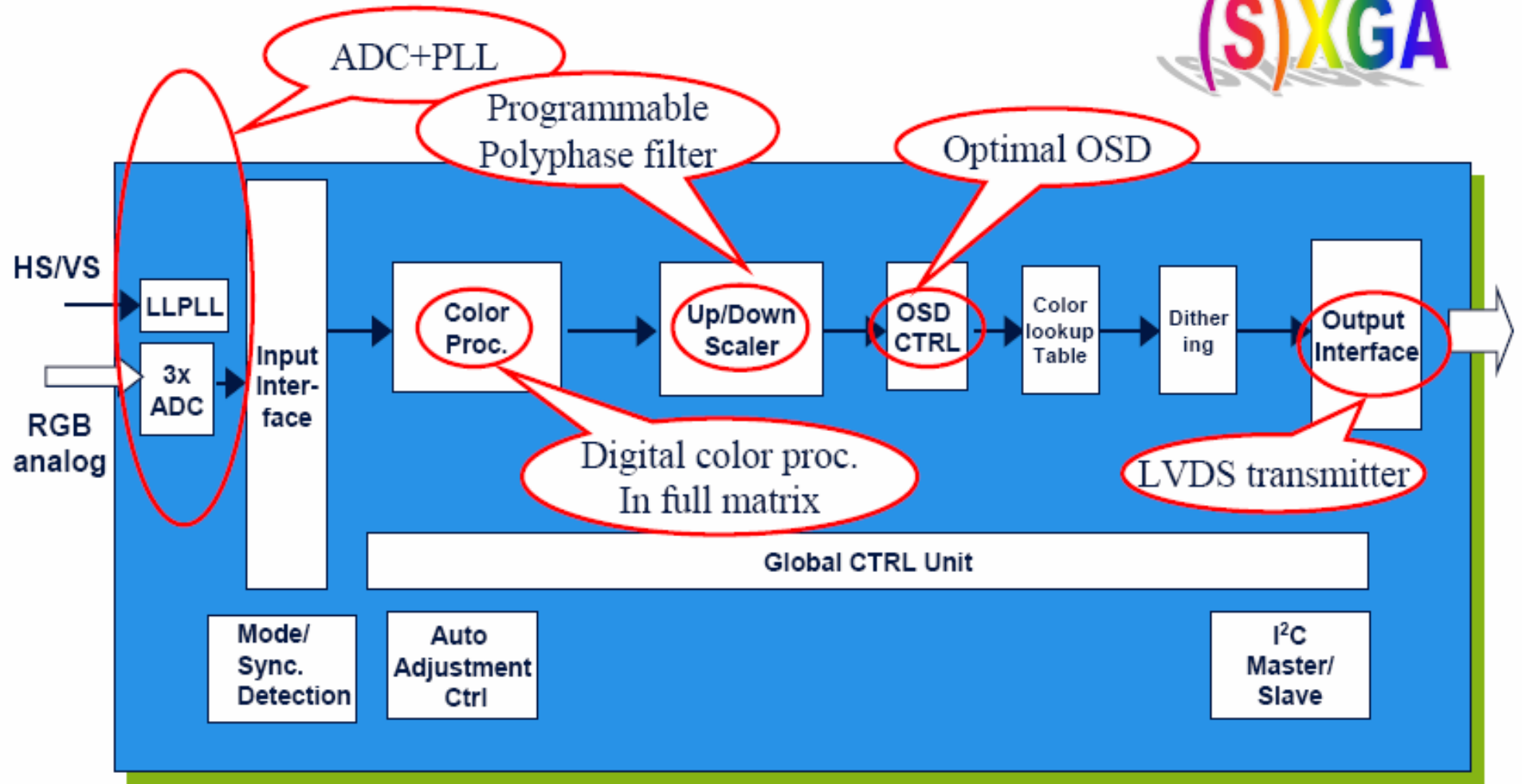
LQFP 100

Ramping up in Aug. 2004

● Teamwork - 以人為本、團隊合作 ● Enthusiasm - 誠摯服務、重視承諾 ● Expertise - 專業行銷、經營亞太

SAA6734AHL- Block diagram

(S)XGA

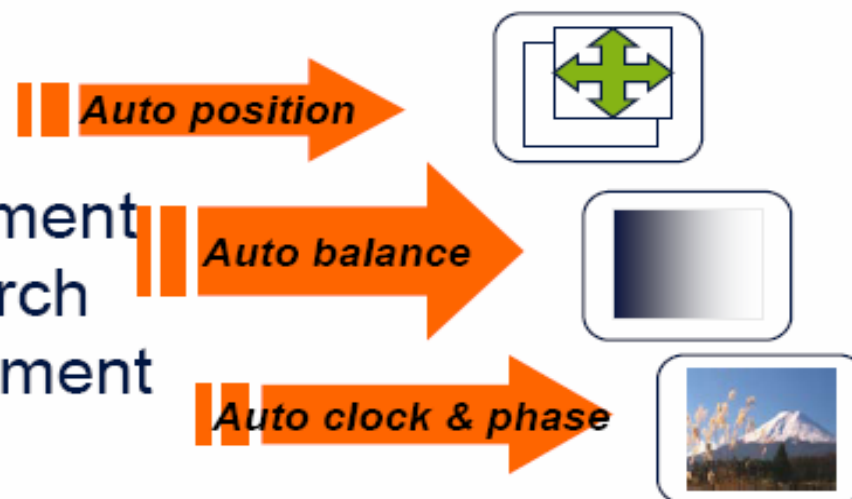


● Teamwork - 以人為本、團隊合作 ● Enthusiasm - 誠摯服務、重視承諾 ● Expertise - 專業行銷、經營亞太

SAa6734AHL- Auto Setup

Auto Setup

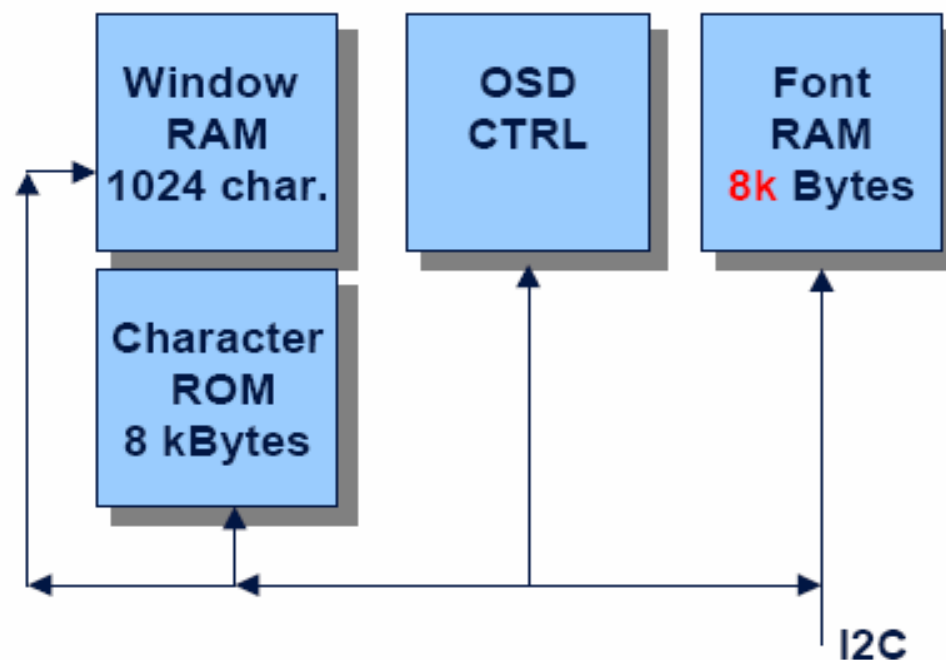
- Auto sync support
 - measurements of H & V frequencies
 - Vsync status of C-sync slicer
 - SOG status + locked flag of LLPLL
- Auto adjustment support
 - Active area detection
 - Geometric pixel measurement
 - Brightest/lowest pixel search
 - Phase distortion measurement



● Teamwork - 以人為本、團隊合作 ● Enthusiasm - 誠摯服務、重視承諾 ● Expertise - 專業行銷、經營亞太

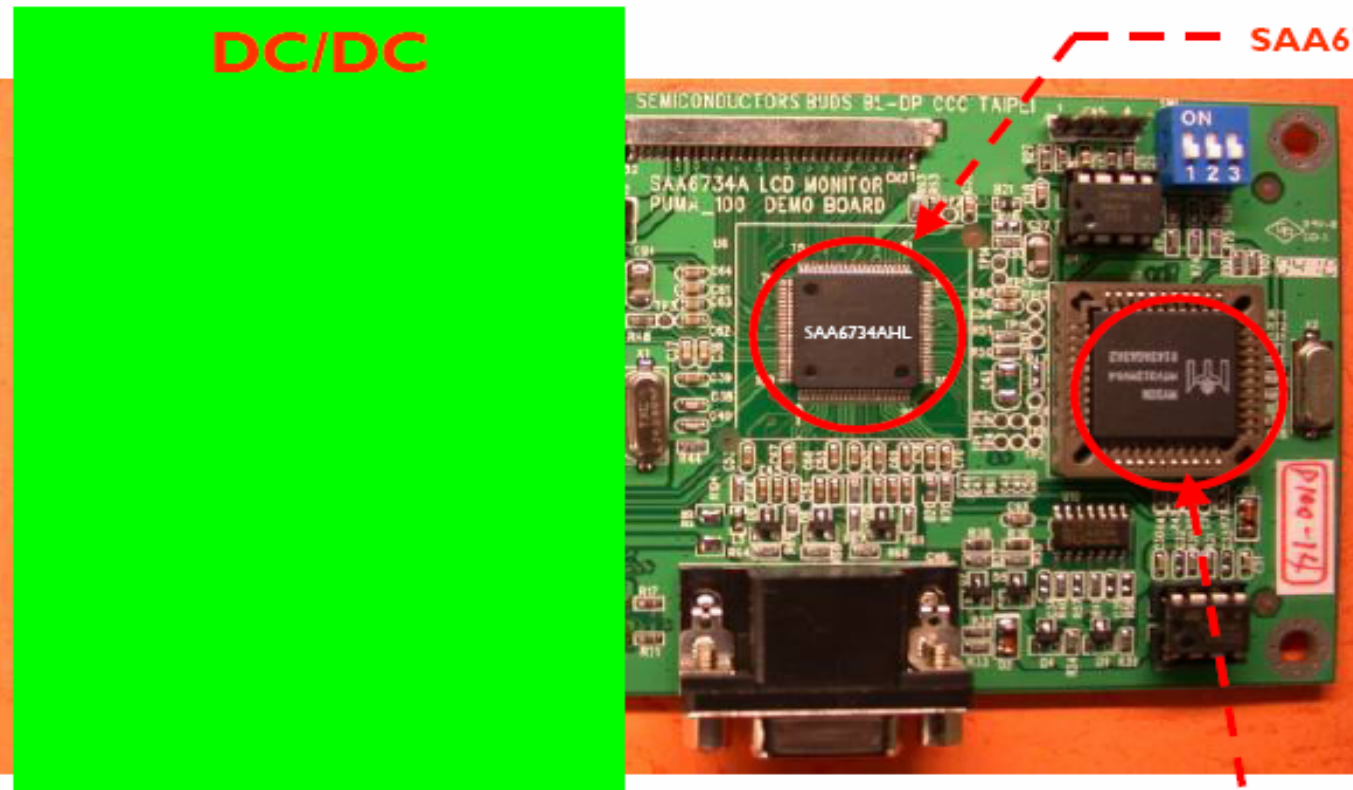
SAA6734AHL- Fancy OSD

- predefined character ROM
 - ICONS
 - European & Chinese char.
 - Font size 12x16
 - Borders & slider bar
- **8 kB** Downloadable fonts (8x8..32x32)
 - **Support Proportionate font**
- free programmable Alpha blending
 - for OSD window as well as Image window



- Text attributes:
 - shadowing, blinking, inversion
- OSD flip, rotate and zoom

SAA6734AHL- Demo Board



(S)XGA Monitor

- VGA input
- max input up to UXGA @60Hz
- Supported panels: (S)XGA LVDS panel
- Spread spectrum for EMI reduction

Two-layer PCB!

Flash MCU (64KB)

● Teamwork - 以人為本、團隊合作 ● Enthusiasm - 誠摯服務、重視承諾 ● Expertise - 專業行銷、經營亞太

Your Connection to Success

 品佳股份有限公司

SAA6734AHL- Competition Benchmark

	Philips SAA6734AHL	Genesis gmZAN3SL	Mstar MST8111	MRT MVXPRL	Realtek RTD2022	Novatek NT68521
General						
- Wafer Foundry	In House	Fabless	Fabless	Fabless	Fabless	Fabless
- Logistics Supply Chain	+++	+	++	+	+	+
- Local Technical Support	+++	+	+	+	+	+
- IP Rich Company	Yes	No	Yes	No	No	No
- Row / Column Drivers	Yes	No	No	Yes	No	Yes
Basic Functions						
- integrated ADC	165 MHz	135 MHz	135 MHz	135 MHz	140 MHz	165MHz
- integrated LVDS	Yes	Yes	Yes	Yes	Yes	Yes
- integrated Micro	No	No	No	No	No	No
Scaling						
- Polyphase	Yes, programable	Yes	?	?	?	?
OSD						
- ROM fonts / size (KB)	Yes/8K	No	No	No	No	No
- RAM fonts / size(KB)	Yes/8K	Yes/ <10K	Yes			Yes/ <12K
Package	LQFP100	SQFP100	SQFP128	QFP160	PQFP128	SQFP128
Process	0.18um	0.18um	0.25um	0.25um	0.25um	?



● Teamwork - 以人為本、團隊合作
● Enthusiasm - 誠摯服務、重視承諾
● Expertise - 專業行銷、經營亞太