



## TLE4913 and TLE4917

Low Power Hall IC Switches

The Economical Answer to Reed Switches

### Applications

- Cover detection for battery powered devices
  - Flip phones (cordless and cellular), palms, notebooks, docking-stations, portable CD Players, electronic translators etc....
- High reliable replacement of reed switches
- Door position detection in white goods:
  - Washing machines, dish washer, dryer, refrigerator

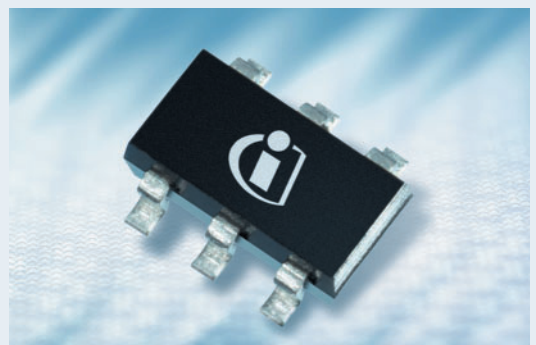
### Features

- Only 10  $\mu$ W power consumption (typically)
- Min. supply voltage of 2.4 V
- Omnipolar magnetic switching characteristics
- SMD package: P-SC59-3-x, P-TSOP6-6-2 (pin-compatible to SOT-23)
- TLE4917 programmable output polarity selectable by programming pin

P-SC59-3-x



P-TSOP6-6-2

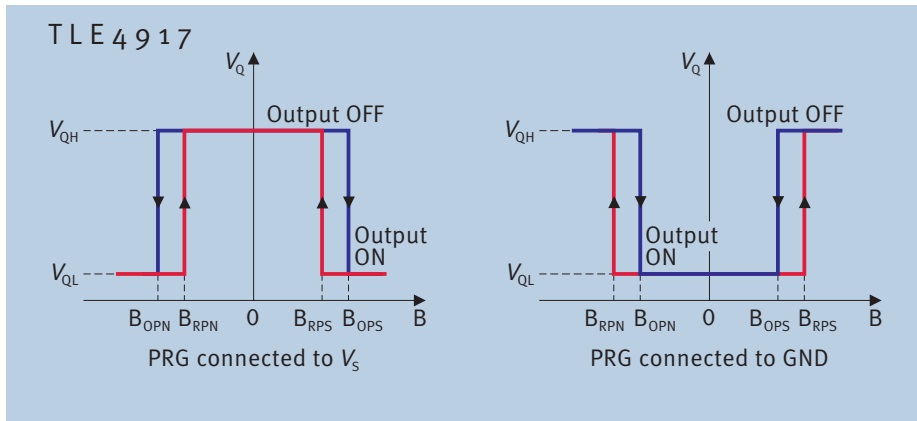


[www.infineon.com/sensors](http://www.infineon.com/sensors)

## Sensors



Never stop thinking.

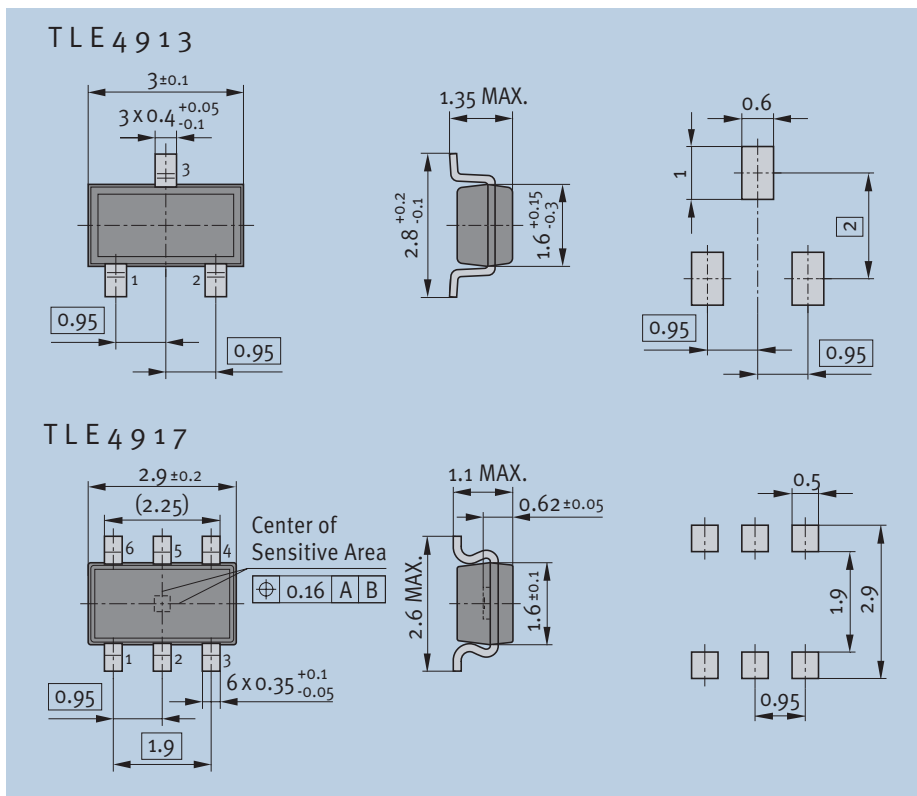


For extended convenience and ease of design, the output of the TLE4917 at  $B_0 = 0$  mT can be programmed to either HIGH or LOW state by connecting the programming pin to  $V_S$  or GND

The outstanding sensitivity of the TLE4913 and TLE4917 allow the use of small and cost effective magnets in the final application.

As the ICs are of omnipolar characteristic, the orientation of the poles of the magnet doesn't have to be controlled in the assembly.

| Type    | BOP | BRP | $\Delta B_{HY}$ | Comment          |
|---------|-----|-----|-----------------|------------------|
| TLE4913 | 3.5 | 2.7 | 0.8             | Omnipolar Switch |
| TLE4917 | 5.0 | 4.0 | 1.0             | Omnipolar Switch |



### Package Information:

The P-SC59-3-x and the P-TSOP6-6-2 packages are ideally suited for high volume applications. It requires the same small PCB space as SOT-23 packages and can be used at the same soldering patterns.

| Type    | Sales Code  | Package     |
|---------|-------------|-------------|
| TLE4913 | Q62705-K619 | P-SC59-3-x  |
| TLE4917 | Q62705-K605 | P-TSOP6-6-2 |

How to reach us:  
<http://www.infineon.com>

Published by  
Infineon Technologies AG  
St.-Martin-Strasse 53  
81669 München

© Infineon Technologies AG 2004.  
All Rights Reserved.

Template: pb\_tmplt.fm/4

### Attention please!

The information herein is given to describe certain components and shall not be considered as a guarantee of characteristics. Terms of delivery and rights to technical change reserved.

We hereby disclaim any and all warranties, including but not limited to warranties of non-infringement, regarding circuits, descriptions and charts stated herein.

### Information

For further information on technology, delivery terms and conditions and prices please contact your nearest Infineon Technologies Office.

### Warnings

Due to technical requirements components may contain dangerous substances. For information on the types in question please contact your nearest Infineon Technologies Office.

Infineon Technologies Components may only be used in life-support devices or systems with the express written approval of Infineon Technologies, if a failure of such components can reasonably be expected to cause the failure of that life-support device or system, or to affect the safety or effectiveness of that device or system. Life support devices or systems are intended to be implanted in the human body, or to support and/or maintain and sustain and/or protect human life. If they fail, it is reasonable to assume that the health of the user or other persons may be endangered.

Ordering No. B112-H7814-G1-X-7600  
Printed in Germany  
PS 12042. nb